



C A T A L O G U E

2 0 2 2



MAZIN FATAYER INDUSTRIAL EST.

SINCE 1985

CONTENTS

3 INTRODUCTION

4 PRODUCTS

5 - 36 SHARPS CONTAINERS

37 - 42 PATIENT CARE PRODUCTS

46 CONTACT INFO

INTRODUCTION

INFLUX MEDICAL IS A BRAND OF MAZIN FATAYER INDUSTRIAL EST.

A COMPANY THAT SPECIALIZES IN MANUFACTURING MEDICAL PRODUCTS.

SINCE ITS FOUNDATION IN 1985, MFI HAS GIVEN GREAT ATTENTION TO CUSTOMER DEMANDS AND MARKET'S RAPIDLY DEVELOPING NATURE.

THEREFORE, MFI WAS ABLE TO DEVELOP HIGH QUALITY PRODUCTS TO ACHIEVE HIGH CUSTOMER SATISFACTION THANKS TO ITS STATE OF THE ART PLASTIC INJECTION MOLDING MACHINERY AND WELL TRAINED AND ENTHUSIASTIC TEAM.

PRODUCTS



SHARPS CONTAINER FOR HAZARDOUS MEDICAL WASTE

- R SERIES SHARPS CONTAINERS 1L, 2L, 3L, 4L
- T SERIES SHARPS CONTAINERS 3L, 5L, 10L
- C SERIES SHARPS CONTAINERS 2L, 3L, 5L, 7L
- 5 QT SERIES SHARPS CONTAINERS 4.7L, 4.7LS

PATIENT CARE PRODUCTS

- SITZ BATH TUB
- PLASTIC SLIPPER BED PAN
- URINAL 1000ML
- VOMIT BAG
- URINE BAG HANGER
- GRADUATED MEDICINE CUP 30ML
- PILL CRUSHER
- TUBE CONNECTOR

SHARPS CONTAINERS

COMPREHENSIVE RANGE OF SHARPS CONTAINERS TO COVER ANY MEDICAL FACILITIES NEEDS.

R- SERIES SHARPS CONTAINERS .

T- SERIES SHARPS CONTAINERS .

C- SERIES SHARPS CONTAINERS .

5QT- SERIES SHARPS CONTAINERS .

ACCESSORIES FOR SHARPS CONTAINERS FOR SAFER AND ORGANIZED MEDICAL PRACTICE.

ALL OF OUR SHARPS CONTAINERS ARE MADE OF NON- HALOGENIC MATERIAL THAT DO NOT EMIT ANY HARMFULL EMISSIONS WHEN INCINIRATED ,THEY ARE FACILITATED WITH TEMPORARY AND DEFINITAVE CLOSING MECHANISMS.

OUR FULL RANGE OF SHARPS CONTAINERS IS PUNCTURE RESISTANT FOR SAFE DISPOSAL OF SHARP AND CUTTING MEDICAL WASTE. WE OFFER VARIOUS ACCESSORIES TO ENSURE SAFER AND MORE ORGANIZED HEALTH CARE PRACTICE.

THE LABELLING ON OUR SHARPS CONTAINERS IS COMPLIANT WITH INTERNA- TIONAL STANDARDS,SHOWING FILL LINE INDICATOR, USER INFORMATION RECORD SPACE, DANGER SIGN, AND THE UN 3291 MARK FOR THE TRANSPORT OF DANGEROUS MATERIAL.



R - SERIES SHARPS CONTAINERS



T - SERIES SHARPS CONTAINERS



C - SERIES SHARPS CONTAINERS



5QT - SERIES SHARPS CONTAINERS

R- SERIES



THE INFLUX R-SERIES CONSISTS OF 4 ROUND SHAPE DISPOSABLE SHARPS CONTAINERS (1, 2, 3, & 4 LITER CAPACITY) DESIGNED WITH A TEMPORARY AND PERMANENT CLOSING MECHANISM LID. THE APERTURE IS FACILITATED WITH INDENTS FOR HYPODERMIC NEEDLES AND INSULIN PIN NEEDLES REMOVAL. WITH NON RETURN HINGES TO PREVENT ACCIDENTAL OUTFLOW OF WASTE. ALL CONTAINERS ARE LABELED ACCORDING TO GLOBAL STANDARDS WITH FILL LINE LIMIT INDICATOR, BIOHAZARD SYMBOL, CONTAINER ASSEMBLY INSTRUCTIONS AND IDENTIFICATION RECORD SPACE. THE INFLUX R- SERIES COMES WITH VARIOUS ACCESSORIES AND SUPPORTS TO FACILITATE SAFE AND ORGANIZED MEDICAL PRACTICE.



1L



2L



3L



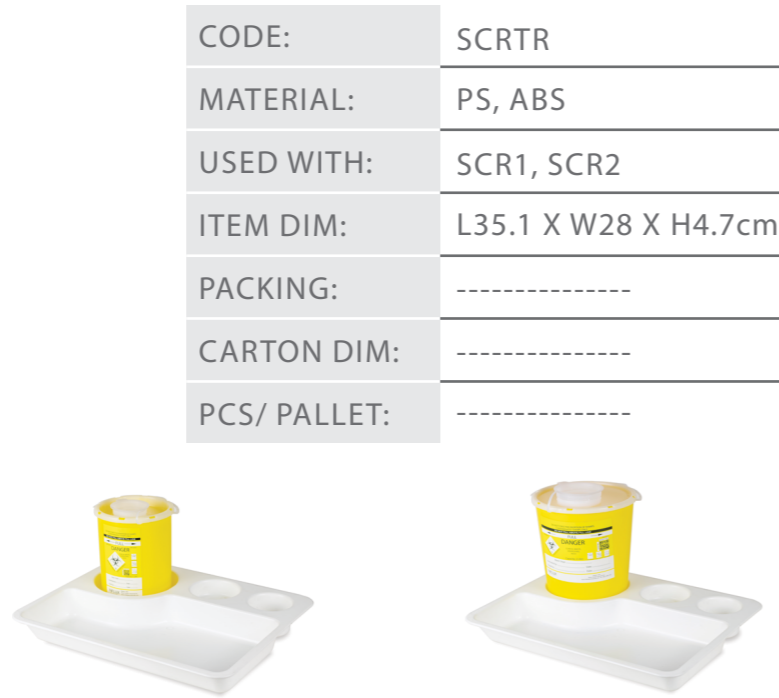
4L

CODE:	SCR1	SCR2
CAPACITY:	1 LITER	2 LITER
MATERIAL:	PP	PP
PACKING:	30 PCS/CARTON	50 PCS/CARTON
ITEM DIM:	DIA.12cm X H16.5cm	DIA.15.6cm X H19.3cm
CARTON DIM:	L614 X W314 X H564mm	L474 X W314 X H568mm
PCS/ PALLET:	720 PCS	1600 PCS
ACCESSORIES:	SCRTR	SCRTR, SCRBR, SCRTL

CODE:	SCR3	SCR4
CAPACITY:	3 LITER	4 LITER
MATERIAL:	PP	PP
PACKING:	40 PCS/CARTON	30 PCS/CARTON
ITEM DIM:	DIA.15.6cm X H22.3cm	DIA.15.6cm X H32cm
CARTON DIM:	L614 X W314 X H564mm	L614 X W314 X H564mm
PCS/ PALLET:	960 PCS	720 PCS
ACCESSORIES:	SCRBR, SCRTL	SCRBR, SCRTL

ACCESSORIES

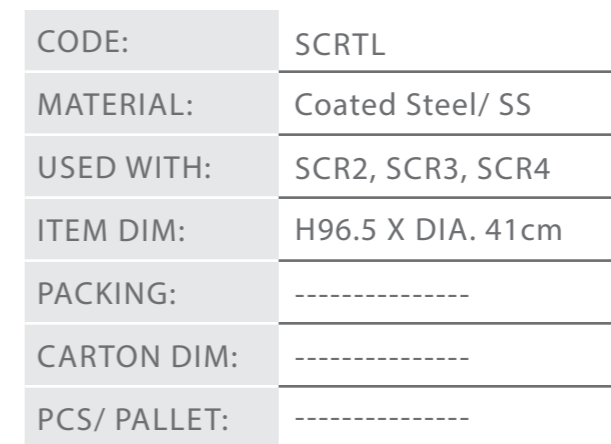
TRAY



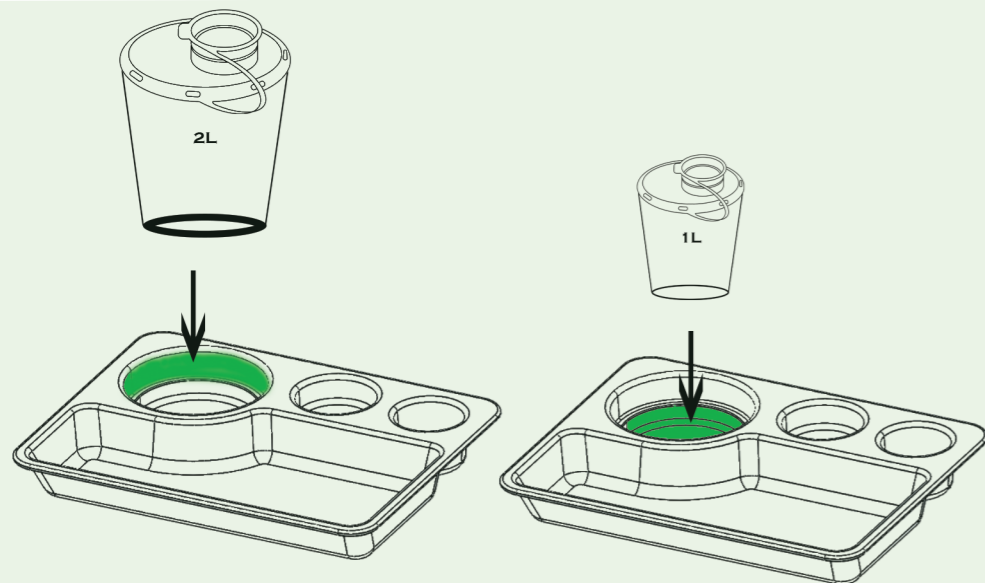
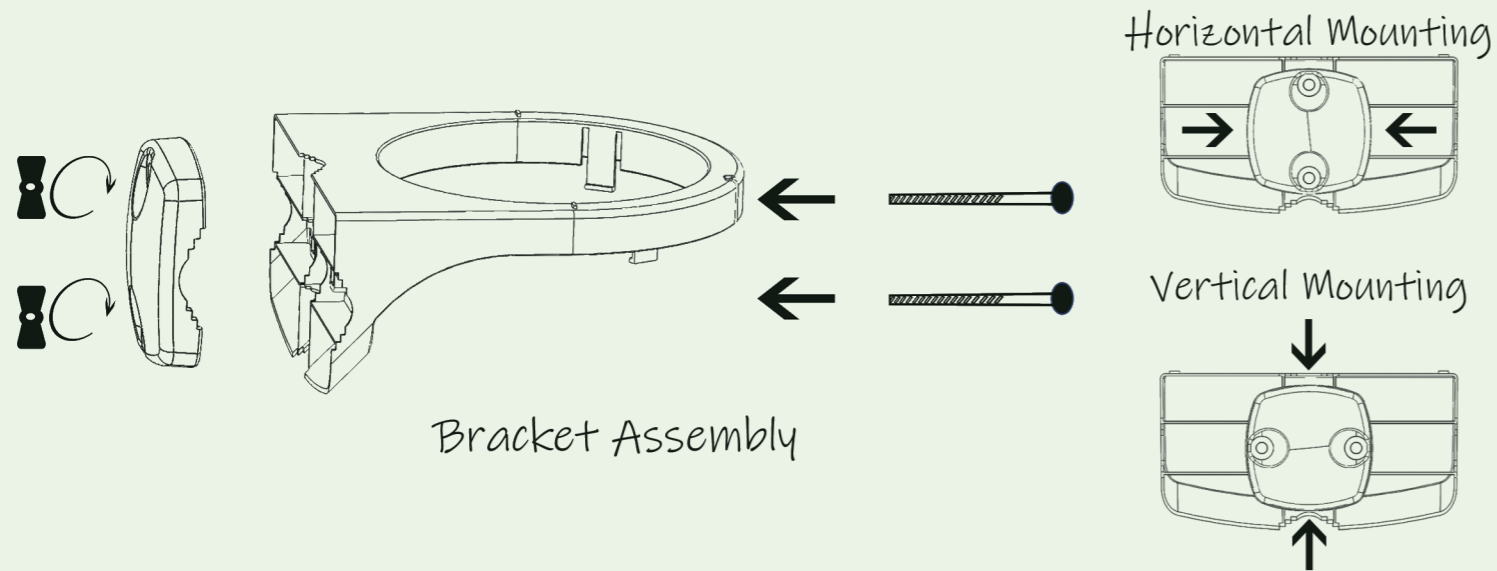
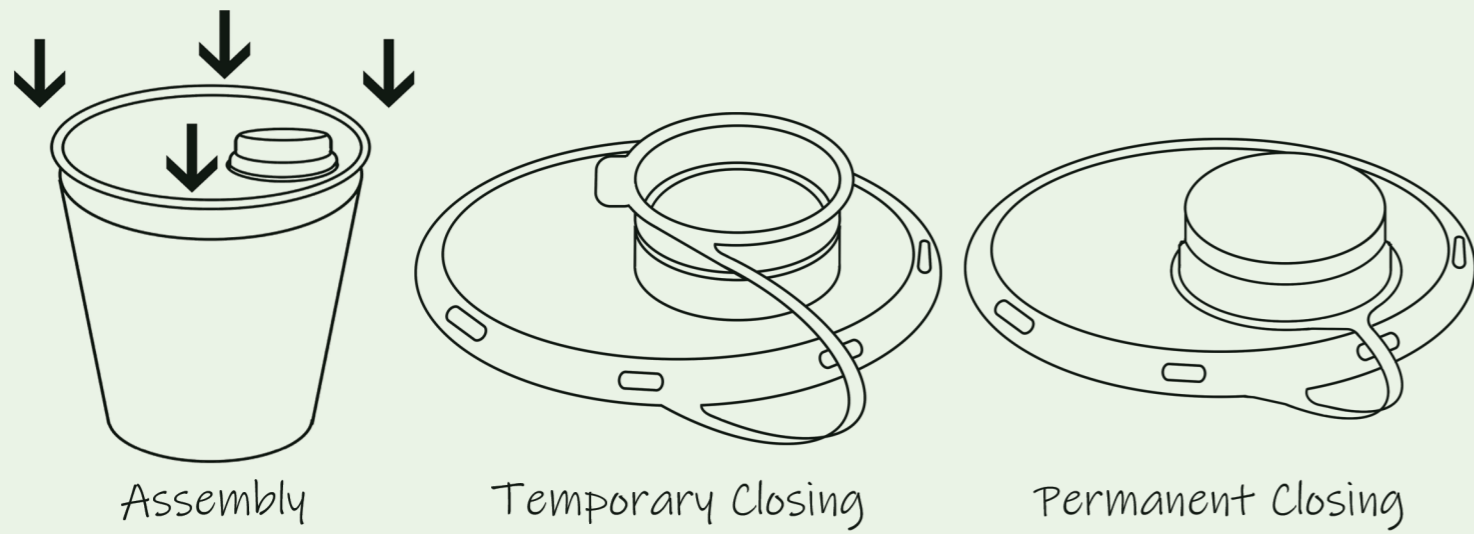
TOLLEY



MOUNTING BRACKET



INSTRUCTIONS FOR USE



Fit SCR1 & SCR2 on Tray

POINT OF USE TRAINING



SCAN QR CODE FOR VIDEO

Ward/ Dept:
Assembled by: Date:
Closed by: Date:

R- SERIES SHARPS CONTAINER/ INSTRUCTIONS FOR USE

For assembling and further user instructions scan the qr code on the label of the R- Series Sharps Containers with your QR reader supported camera phone.



T- SERIES

THE INFLUX T SERIES CONSISTS OF 3 ROUND SHAPE DISPOSABLE SHARPS CONTAINERS (3, 5, 10 LITER CAPACITY) FACILITATED WITH A TEMPORARY AND PERMANENT CLOSING MECHANISM LID.

THE T LINE COMES WITH A TRANSPARENT LID TO EASILY INDICATE THE VOLUME OF THE CONTAINERS CONTENTS AND AVOID OVERFILLING. THE APERTURE IS FACILITATED WITH INDENTS FOR HYPODERMIC NEEDLES AND INSULIN PIN NEEDLES REMOVAL AND WIDE OPENING FOR LARGER SHARP WASTE.

ALL CONTAINERS ARE LABELED ACCORDING TO GLOBAL STANDARDS WITH FILL LINE LIMIT INDICATOR, BIOHAZARD SYMBOL, CONTAINER ASSEMBLY INSTRUCTIONS AND IDENTIFICATION RECORD SPACE.

THE INFLUX T LINE COMES WITH VARIOUS ACCESSORIES AND SUPPORTS TO FACILITATE SAFE AND ORGANIZED PRACTICE.



3L



5L

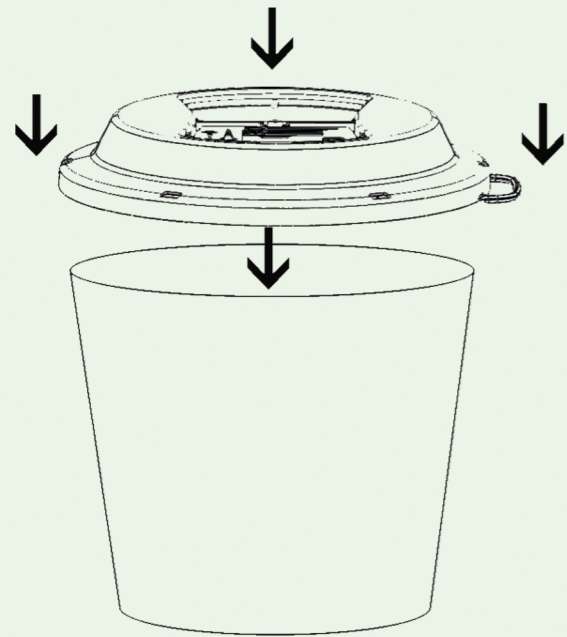


10L

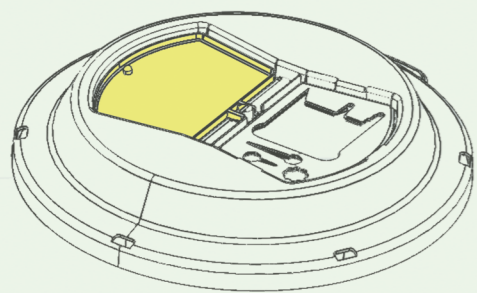
CODE:	SCT3	SCT5
CAPACITY:	3 LITER	5 LITER
MATERIAL:	PP	PP
PACKING:	30 PCS/CARTON	30 PCS/CARTON
ITEM DIM:	DIA.16.3cm X H19.5cm	DIA.17.9cm X H22.4cm
CARTON DIM:	L614 X W314 X H564mm	L474 X W314 X H568mm
PCS/ PALLET:	720 PCS	960 PCS
ACCESSORIES:	-----	-----

CODE:	SCT10
CAPACITY:	10 LITER
MATERIAL:	PP
PACKING:	20 PCS/CARTON
ITEM DIM:	DIA.25.5cm X H27.2cm
CARTON DIM:	L630 X W520 X H520mm
PCS/ PALLET:	320 PCS
ACCESSORIES:	-----

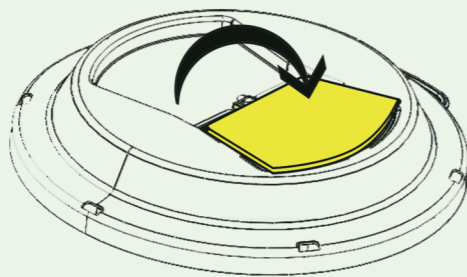
INSTRUCTIONS FOR USE



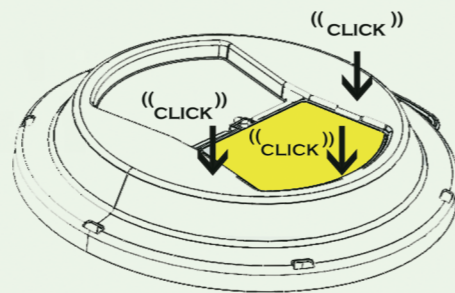
ASSEMBLY



OPEN

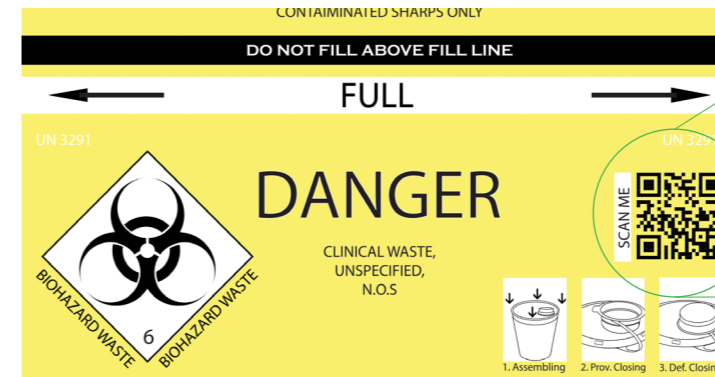


TEMPORARY
CLOSING



DEFINITIVE
CLOSING

POINT OF USE TRAINING



SCAN QR CODE FOR VIDEO

Ward/ Dept:

Assembled by: Date:

Closed by: Date:

T-SERIES SHARPS CONTAINER/ INSTRUCTIONS FOR USE

For assembling and further user instructions scan the qr code on the label of the T-Series Sharps Containers with your QR reader supported camera phone.

C- SERIES



THE INFLUX C- SERIES CONSISTS OF 4 SQUARE SHAPE DISPOSABLE SHARPS CONTAINERS (3, 5, 7, 12 LITER CAPACITY) FACILITATED WITH A TEMPORARY AND PERMANENT CLOSING MECHANISM LID.

THE C- SERIES APERTURE IS FACILITATED WITH TEMPORARY AND DEFINITIVE CLOSING MECHANISM & INDENTS FOR HYPODERMIC NEEDLES AND INSULIN PIN NEEDLES REMOVAL.

ALL CONTAINERS ARE LABELED ACCORDING TO GLOBAL STANDARDS WITH FILL LINE LIMIT INDICATOR, BIOHAZARD SYMBOL, CONTAINER ASSEMBLY INSTRUCTIONS AND IDENTIFICATION RECORD SPACE.

THE INFLUX C- SERIES COMES WITH VARIOUS ACCESSORIES AND SUPPORTS TO FACILITATE SAFE AND ORGANIZED PRACTICE.



2L

3L

5L

7L

CODE:	SCC2	SCC3
CAPACITY:	2 LITER	3 LITER
MATERIAL:	PP	PP
PACKING:	40 PCS/CARTON	36 PCS/CARTON
ITEM DIM:	W16.8cm X H16cm	W16.8cm X H20.8cm
CARTON DIM:	L404 X W384 X H668mm	L404 X W384 X H668mm
PCS/ PALLET:	1080 PCS	972 PCS
ACCESSORIES:	SCCHG, SCCTL	SCCHG, SCCTL

CODE:	SCC5	SCC7
CAPACITY:	5 LITER	7 LITER
MATERIAL:	PP	PP
PACKING:	36 PCS/CARTON	30 PCS/CARTON
ITEM DIM:	W20cm X H19.5cm	W20cm X H26.5cm
CARTON DIM:	L614 X W314 X H564mm	L614 X W314 X H564mm
PCS/ PALLET:	864 PCS	720 PCS
ACCESSORIES:	SCCHG, SCCTL	SCCHG, SCCTL

ACCESSORIES

HANGER



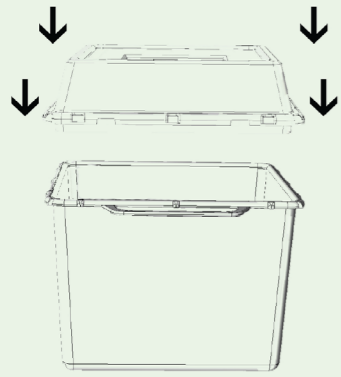
CODE:	SCCHG
MATERIAL:	PS, ABS
USED WITH:	SCC2,3,5,7
ITEM DIM:	L7.5 X W4.5 X H10.8cm
PACKING:	-----
CARTON DIM:	-----
PCS/ PALLET:	-----

TOLLEY

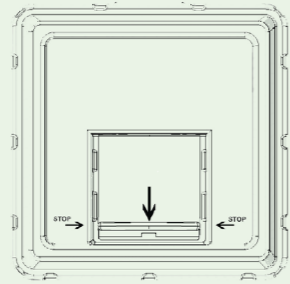


CODE:	SCCTL
MATERIAL:	Coated Steel/ SS
USED WITH:	SCC2,3,5,7
ITEM DIM:	H96.5 X DIA. 41cm
PACKING:	-----
CARTON DIM:	-----
PCS/ PALLET:	-----

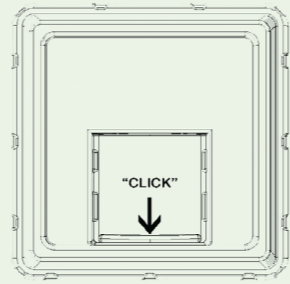
INSTRUCTIONS FOR USE



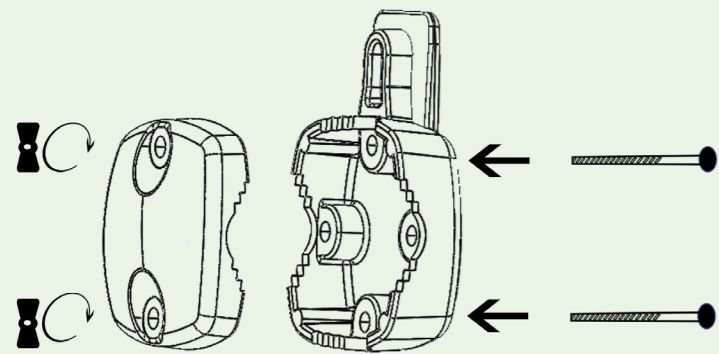
ASSEMBLY



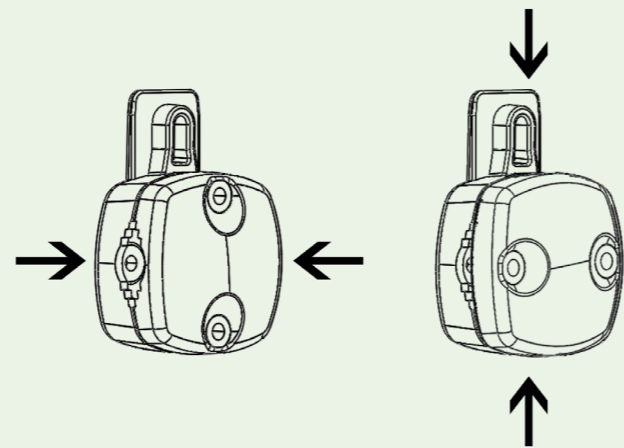
TEMPORARY CLOSING



DEFINITIVE CLOSING



HANGER ASSEMBLY



HORIZONTAL MOUNTING VERTICAL MOUNTING

POINT OF USE TRAINING



SCAN QR CODE FOR VIDEO

C- SERIES SHARPS CONTAINER/ INSTRUCTIONS FOR USE

For assembling and further user instructions scan the qr code on the label of the C- Series Sharps Containers with your QR reader supported camera phone.



5QT- SERIES



THE 5 QT SERIES CONSISTS OF A RECTANGULAR DISPOSABLE SHARPS CONTAINER. FACILITATED WITH A TEMPORARY AND PERMANENT CLOSING MECHANISM LEAK AND TAMPER RESISTANT LID.

THE APERTURE IS FACILITATED WITH AN INNER GAURD TO PREVENT HAND REACH TO THE INSIDE OF THE CONTAINER, THE DESIGN OF THIS LINE IS MEANT TO PREVENT OVERFILLING OF THE CONTAINER AS THE LID WILL REMAIN IN THE CLOSE POSITION WHEN THE CONTENTS OF THE CONTAINER REACH THE FILL LIMIT.

5 QT SERIES IS LABELED ACCORDING TO GLOBAL STANDARDS WITH FILL LINE LIMIT INDICATOR, BIOHAZARD SYMBOL, CONTAINER ASSEMBLY INSTRUCTIONS AND IDENTIFICATION RECORD SPACE.

THE INFLUX 5QT SERIES COMES WITH VARIOUS ACCESSORIES AND SUPPORTS TO FACILITATE SAFE AND ORGANIZED PRACTICE.



5QT- PLUS

CODE:	SC4.7P
CAPACITY:	4.7 LITER
MATERIAL:	PP
PACKING:	20 PCS/CARTON
ITEM DIM:	L27.1cm X W11.4 X H25.8cm
CARTON DIM:	L614 X W314 X H564mm
PCS/ PALLET:	480 PCS
ACCESSORIES:	SC47HG, SC47TL

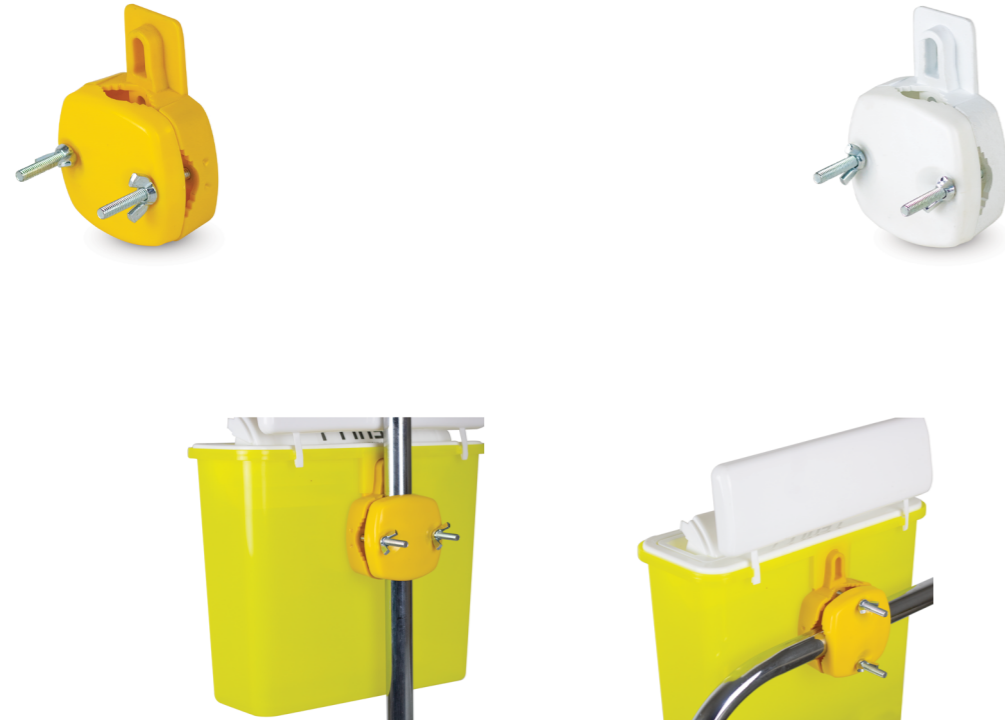


5QT

CODE:	SC4.7
CAPACITY:	4.7 LITER
MATERIAL:	PP
PACKING:	20 PCS/CARTON
ITEM DIM:	L27.1cm X W11.4 X H29.5cm
CARTON DIM:	L614 X W314 X H564mm
PCS/ PALLET:	480 PCS
ACCESSORIES:	SC47HG, SC47TL

ACCESSORIES

HANGER



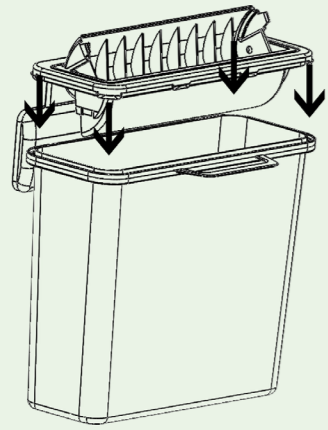
CODE:	SC47HG
MATERIAL:	PS, ABS
USED WITH:	SCC2,3,5,7
ITEM DIM:	L7.5 X W4.5 X H10.8cm
PACKING:	-----
CARTON DIM:	-----
PCS/ PALLET:	-----

TOLLEY

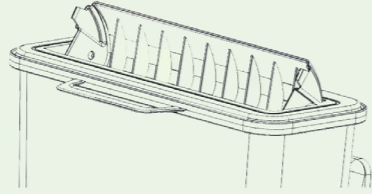


CODE:	SC47TL
MATERIAL:	Coated Steel/ SS
USED WITH:	SCC2,3,5,7
ITEM DIM:	H96.5 X DIA. 41cm
PACKING:	-----
CARTON DIM:	-----
PCS/ PALLET:	-----

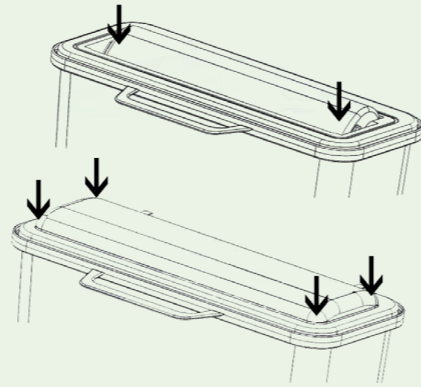
INSTRUCTIONS FOR USE



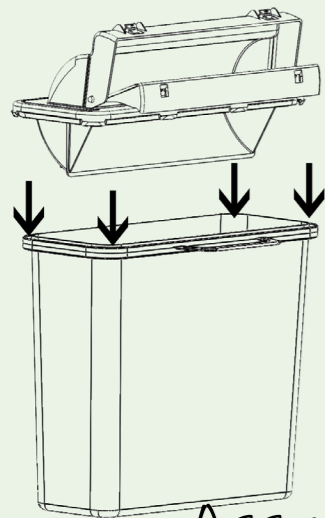
ASSEMBLY



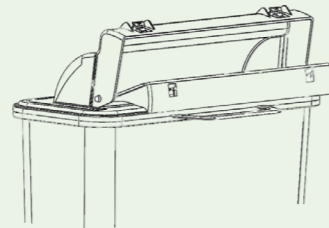
OPEN



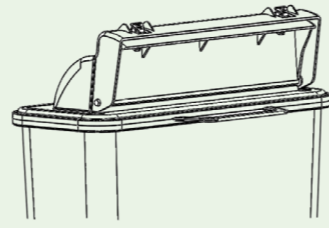
CLOSING



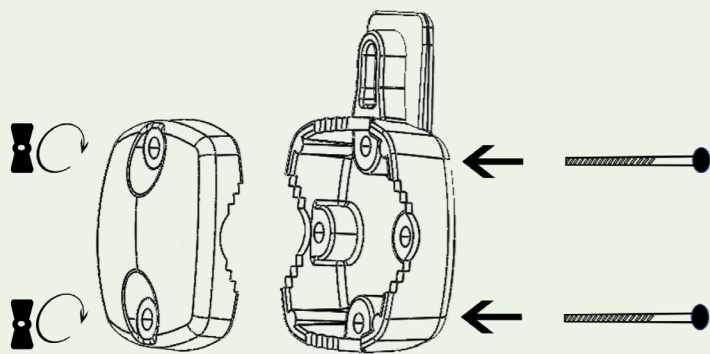
ASSEMBLY



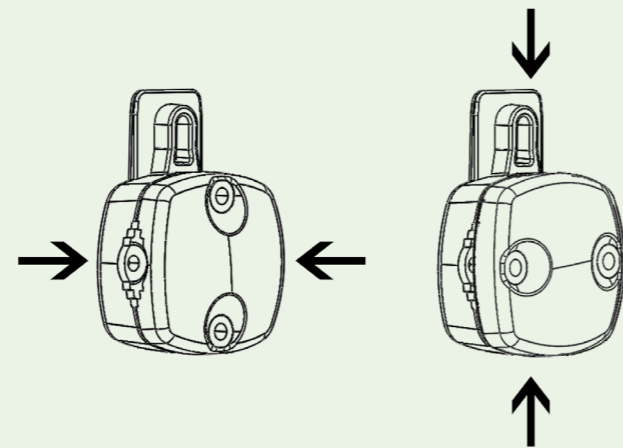
OPEN



CLOSING



HANGER ASSEMBLY



HORIZONTAL MOUNTING VERTICAL MOUNTING

POINT OF USE TRAINING



SCAN QR CODE FOR VIDEO

5QT- SERIES SHARPS CONTAINER/ INSTRUCTIONS FOR USE

For assembling and further user instructions scan the qr code on the label of the 5qt- Series Sharps Containers with your QR reader supported camera phone.

PATIENT CARE PRODUCTS

INFLUX MEDICAL OFFERS A RANGE OF MEDICAL PRODUCTS TO SUPPORT IN HOUSE PATIENT CARE.

ALL OF OUR PATIENT CARE PRODUCTS ARE MANUFACTURED WITH HIGH QUALITY RAW MATERIAL, AND ATTENTION TO DETAIL.

INFLUX MEDICAL PATIENT CARE PRODUCTS SUPPORT HEALTH CARE PRACTITIONERS AT DELIVERING THE BEST PATIENT SERVICE IN ANY HEALTH CARE FACILITY.



SITZ BATH TUB

Using a sitz bath can reduce inflammation, improve hygiene and promote blood flow to the anogenital area. It is highly effective for reducing inflammation and discomfort caused by hemorrhoids, and healing perineal and vaginal lacerations after vaginal childbirth. It fits all toilet seats, and provides a smooth surface for comfortable seating.

CODE:	MSSB
MATERIAL:	PP
PACKING:	25PCS/ CARTON
ITEM DIM:	L38.5 X W36 X H10cm
CARTON DIM:	L404 X W384 X H668cm
PCS/ PALLET:	675 PCS



BED PAN

Our slipper bed pan is designed to fit easily under patients lying or sitting in bed. Bed pans are used to collect urine or feces from under patients with mobility problems. Our bed pan is designed to be comfortable for patients to sit on, and with a strong handle for easy maneuvering underneath patients.

CODE:	MSBP
MATERIAL:	PP
PACKING:	10PCS/ CARTON
ITEM DIM:	L43.5 X W 26.2 X H10cm
CARTON DIM:	L474 X W 314 X H568
PCS/ PALLET:	320 PCS



URINAL

Urinals are very convenient for patients with mobility problems, and can be used for urinating in bed. It is equipped with a screw-on lid to prevent leakage, a handle for carrying and mounting on the bed side. Our urinal is clearly graduated in ml and has a 1000ml capacity.

CODE:	MSUR
MATERIAL:	HDPE, LDPE
PACKING:	40PCS/ CARTON
ITEM DIM:	L9 X W8 X H27cm
CARTON DIM:	-----
PCS/ PALLET:	-----



VOMIT BAG

Vomit bags are very useful for people with motion sickness and patients with mobility problems. Our vomit bag has a soft and rigid ring with a strong and leak-proof plastic bag for safe handling. Instructions for use and disposal are printed on the bag for the user. It has a capacity of 1500ml.

CODE:	MSVB
MATERIAL:	PP
PACKING:	1000PCS/ CARTON
ITEM DIM:	RING DIA.12.6cm/ 1500L
CARTON DIM:	L614 X W314 X H564cm
PCS/ PALLET:	24000 PCS



FLUID BAG HANGER

Fluid bag hanger is used to secure fluid bags to bed side or a standing pole to keep the bag off the floor. It is sturdy enough to carry up to 2000ml of fluid

CODE:	MSBH
MATERIAL:	PP
PACKING:	250PCS/ CARTON
ITEM DIM:	L16 X H8.4cm
CARTON DIM:	-----
PCS/ PALLET:	-----



TABLET CRUSHER

Tablet crusher is used to grind medication tablets into fine powder. our tablet crusher is fitted with stainless steel grinding rod for a clean and effortless grinding

CODE:	MSTC
MATERIAL:	TF, SS
PACKING:	40PCS/ CARTON
ITEM DIM:	DIA.7 X H10.4cm
CARTON DIM:	-----
PCS/ PALLET:	-----



MEDICINE CUP

Medicine cups are very convenient to measure liquid oral medications. We provide high transparency medicine cups with ml and mg graduating for precise medicine administration. We also provide an optional cap for more hygienic administration

CODE:	MSMC
MATERIAL:	PP
PACKING:	3000PCS/ CARTON
ITEM DIM:	DIA.3.7 X H4.3cm
CARTON DIM:	-----
PCS/ PALLET:	-----



TUBE CONNECTORS

Tube connectors are perfect for hose extensions, with a transparent body to monitor fluid flow. Our connector for hose with inner diameters ranging from 0.8cm up to 1.02cm. Straight, Y, and T connectors are available

CODE:	MSTBC
MATERIAL:	PP
PACKING:	10000PCS/ CARTON
ITEM DIM:	L6.15cm- Dia. Max1.02-Min 0.8cm
CARTON DIM:	-----
PCS/ PALLET:	-----

RELIABLE PRODUCTS

MADE IN JORDAN

INFLUX
Medical

◀ CONTACT INFORMATION

TEL: +962 6 4897550
FAX: +962 6 4872810

P.O.BOX: 928396,
11190, AL- ABDALI- AMMAN

EMAIL: INFO@INFLUX-MEDICAL.COM
WEB: WWW.INFLUX-MEDICAL.COM
WWW.MFATAYERINDUSTRIAL.COM

ADDRESS: 4, OMAR AL FAKHOURY ST.
NORTH MARKA
AMMAN- JORDAN

